



MICRO SWITCH

FREEPORT, ILLINOIS, U.S.A.
A DIVISION OF HONEYWELL

FED. MFG. CODE 91929

SWITCH - BASIC

CATALOG LISTING

V3L-1229

CQ-P0296

V3L-1229

M

DRAWING NUMBER

7

ISSUE

8

PAGE 1 OF 1

REPLACES

RELEASE NO. PR-5389

REVISIONS

A	C024699	MBS	30 JUL 69
B	C026661	SRH	30 DEC 69
C	C026861	MBS	22 JAN 70
D	PR 5389	CJH	19 NOV 75
E	CO-76302	JAL	30 NOV 93
F	CO-84847	TSM	9 JUL 98

CHECK

26 MAR 68

26 MAR 68

GCH

19 NOV 75

30 NOV 93

26 MAR 68

LSD

CHECK

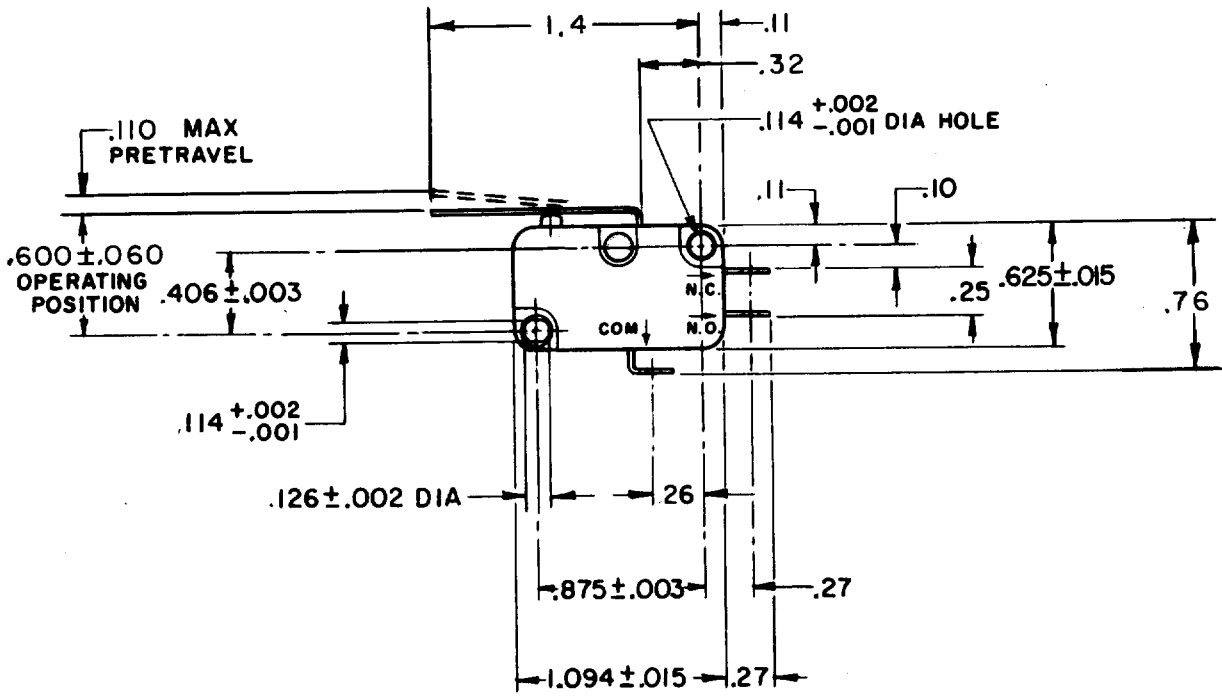
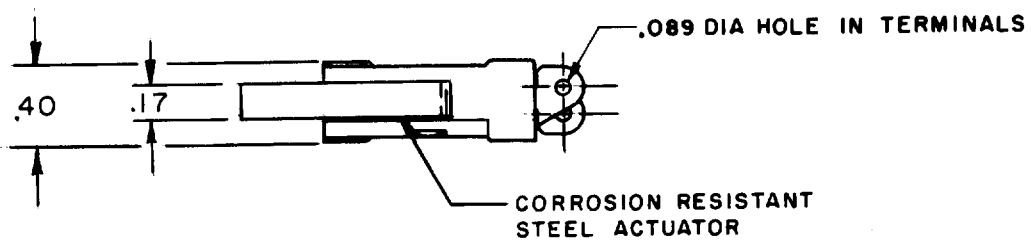
25 MAR 68

MBS

25 MAR 68

FO-30378

DRAWN



THIS DRAWING COVERS A PROPRIETARY ITEM AND IS THE PROPERTY OF MICRO SWITCH, A DIVISION OF MINNEAPOLIS-HONEYWELL REGULATOR CO. THIS DRAWING IS NOT TO BE COPIED OR USED WITHOUT THE APPROVAL OF MICRO SWITCH.

CHARACTERISTICS	ELECTRICAL DATA	SCALE FULL
OPERATING FORCE --- 35 GRAM MAX	CONTACT ARRANGEMENT S P D T	DO NOT SCALE PRINT
RELEASE FORCE --- 4 GRAM MIN	-L112- 10A - 1/3HP - 125 OR 250 VAC	UNLESS OTHERWISE NOTED
DIFFERENTIAL TRAVEL --- .030 MAX	1/2A - 125 VDC; 1/4A - 250 VDC	DIMENSIONS ARE IN INCHES
OVERTRAVEL --- .090 MIN	4A - 125 VAC "L"	TOLERANCES ARE:
RELEASE TRAVEL --- .017 MIN		ONE PLACE (.0) ±.030
		TWO PLACE (.00) ±.015
		THREE PLACE (.000) ±.005
		ANGLES ±
		WEIGHT